



Technical Specification



Case Reel

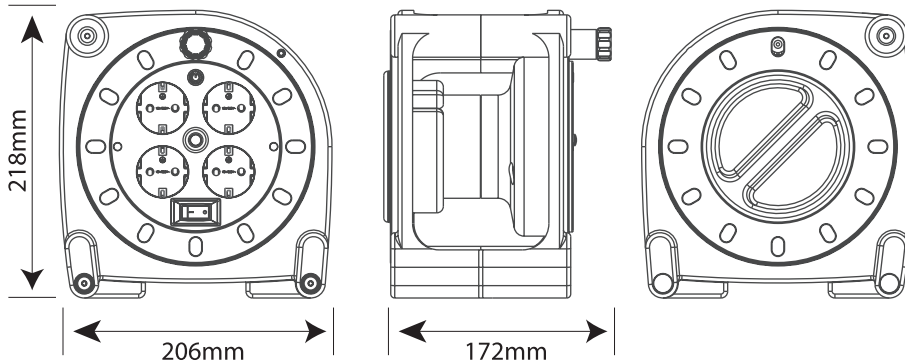


Features

- Robust open reel, with four Schuko type sockets
- Space saving style
- Thermal cut-out protection
- Power on/off switch
- Power LED indicator
- Manufactured to EN 61242
- 5 year guarantee



Lines Diagrams



Technical Specifications

Standard(s)	EN 61242
Maximum Load	10A: Wound Wattage = 900W/230V, Unwound Wattage = 2,300W/230V 16A: Wound Wattage = 1,000W/230V, Unwound Wattage = 3,000W/230V
Switch specification	16A 125V/250V~
Thermal cut-out	56 ± 5 °C
Max cable length	H05VV-F 10A(1.0mm ²) = 25m, H05VV-F 16A(1.5mm ²) = 15m



Product Information

Part No.	HMG15164SL-PX	Qty	3
Type	Case Reel	Shipping Carton Info (cm)	H:250 x W:240 x D:550
Cable Type	H05VV-F	CBM	0.033
Cable Length (m)	15	G.W (kg)	9
Amp	16	EAN Barcode	5015056523392
Product Dimensions(cm)	H:21.8 x W:20.6 x D17.2	ITF Barcode	5015056523439